

Item type
Chandelier

Item name
Sutton House

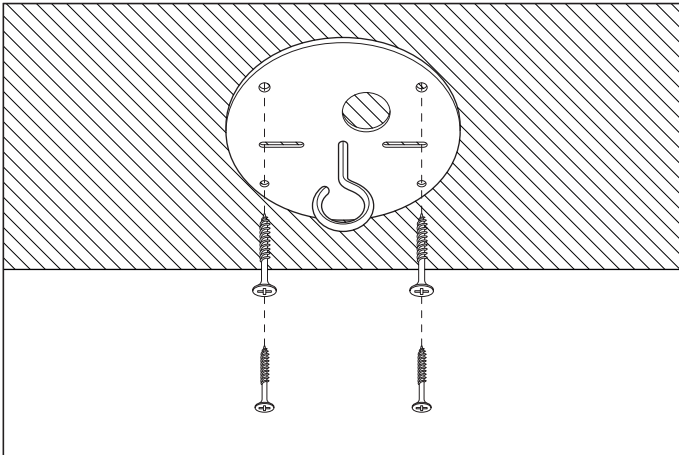
Item no
112154

Attention! Do not connect your luminaire to electricity until it is fully assembled.

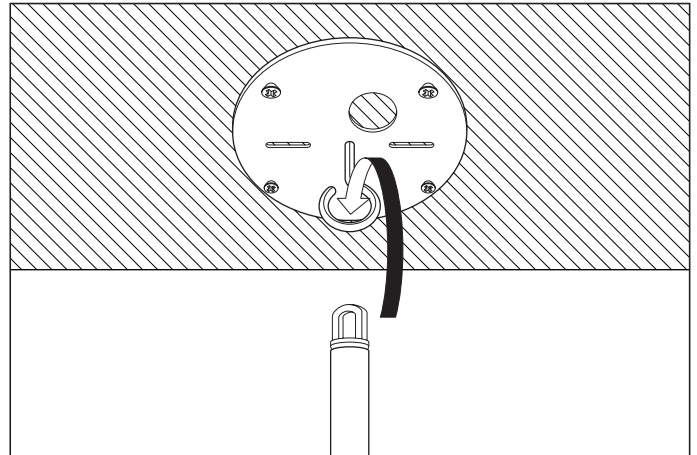
Care instructions:
Wipe with a soft dry cloth, do not use chemicals or abrasive cleaning materials.

Eichholtz B.V.
Delfweg 52
2211 VN Noordwijkerhout
The Netherlands

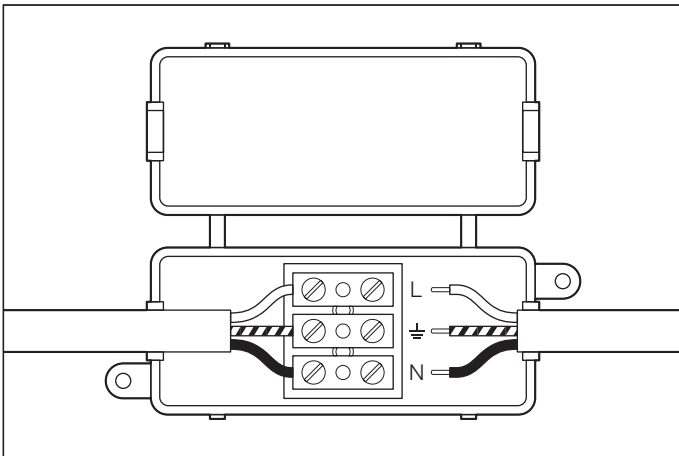
🏠 www.eichholtz.com
✉ service@eichholtz.com
☎ +31 (0)252 515 850



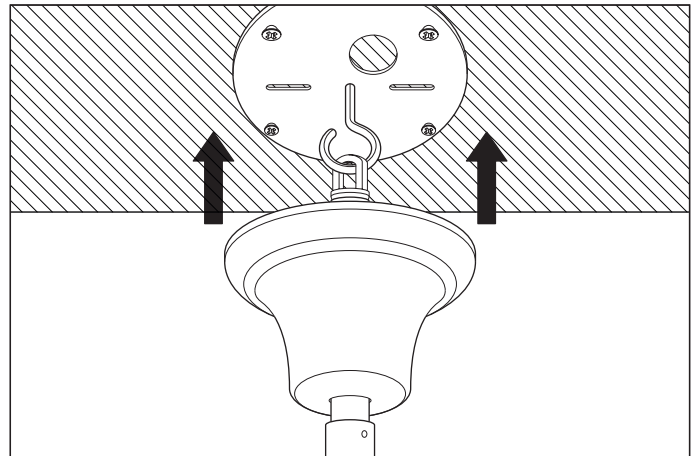
1. Fix the ceiling plate to the ceiling by using ceiling mounting plugs and screws suitable for your ceiling type.



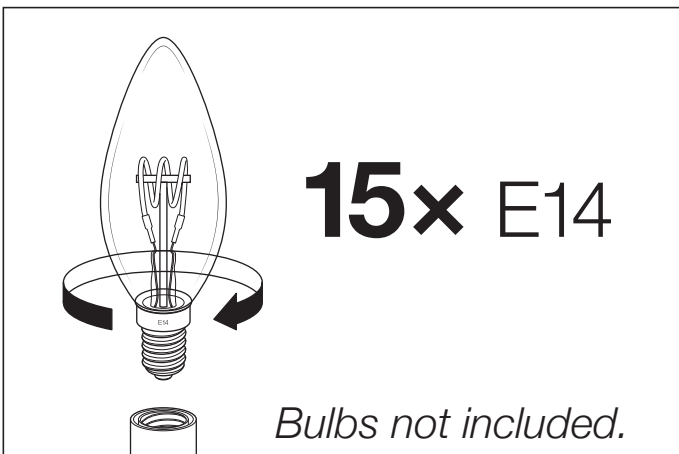
2. Hang the chandelier on the hook of the ceiling plate with the canopy at the lowest position.



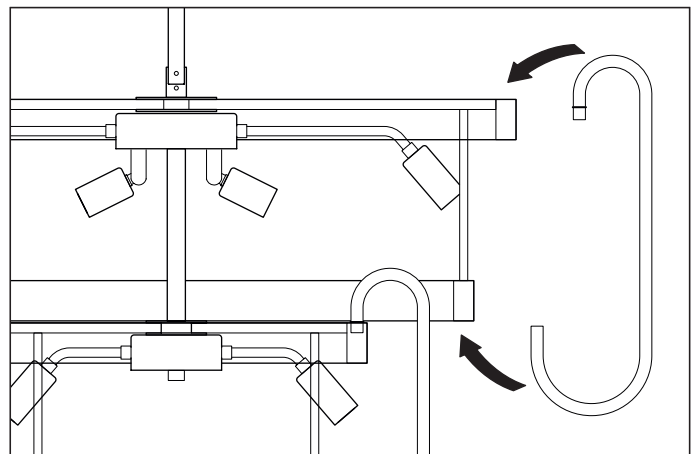
3. Connect the 3 wires according to their colours. Brown is the live wire, blue is the neutral wire, green/yellow is the earth wire.



4. Move the canopy up until it is flush with the ceiling, tighten it with the screw on the side.



5. Carefully place the bulbs in the fittings. Do NOT turn the bulbs further than necessary, to prevent damage to the fitting.



6. Place the glass rods inside the holes of the frame. First place the bottom of the rod inside the hole, followed by the top side of the rod.